

Operations and tests on sets: Implementation on DFAs

Operations and tests

Universe of objects U , sets of objects X, Y , object x .

Operations on sets

Complement(X) : returns $U \setminus X$.

Intersection(X, Y) : returns $X \cap Y$.

Union(X, Y) : returns $X \cup Y$.

Tests on sets

Member(x, X) : returns **true** if $x \in X$, **false** otherwise.

Empty(X) : returns **true** if $X = \emptyset$, **false** otherwise.

Universal(X) : returns **true** if $X = U$, **false** otherwise.

Included(X, Y) : returns **true** if $X \subseteq Y$, **false** otherwise.

Equal(X, Y) : returns **true** if $X = Y$, **false** otherwise.

Implementation on DFAs

- Assumption: each object encoded by one word, and vice versa.
- **Membership**: trivial algorithm, linear in the length of the word.
- **Complement**: exchange final and non-final states. Linear (or even constant) time.
- Generic implementation of binary boolean operations based on **pairing**.

Pairing

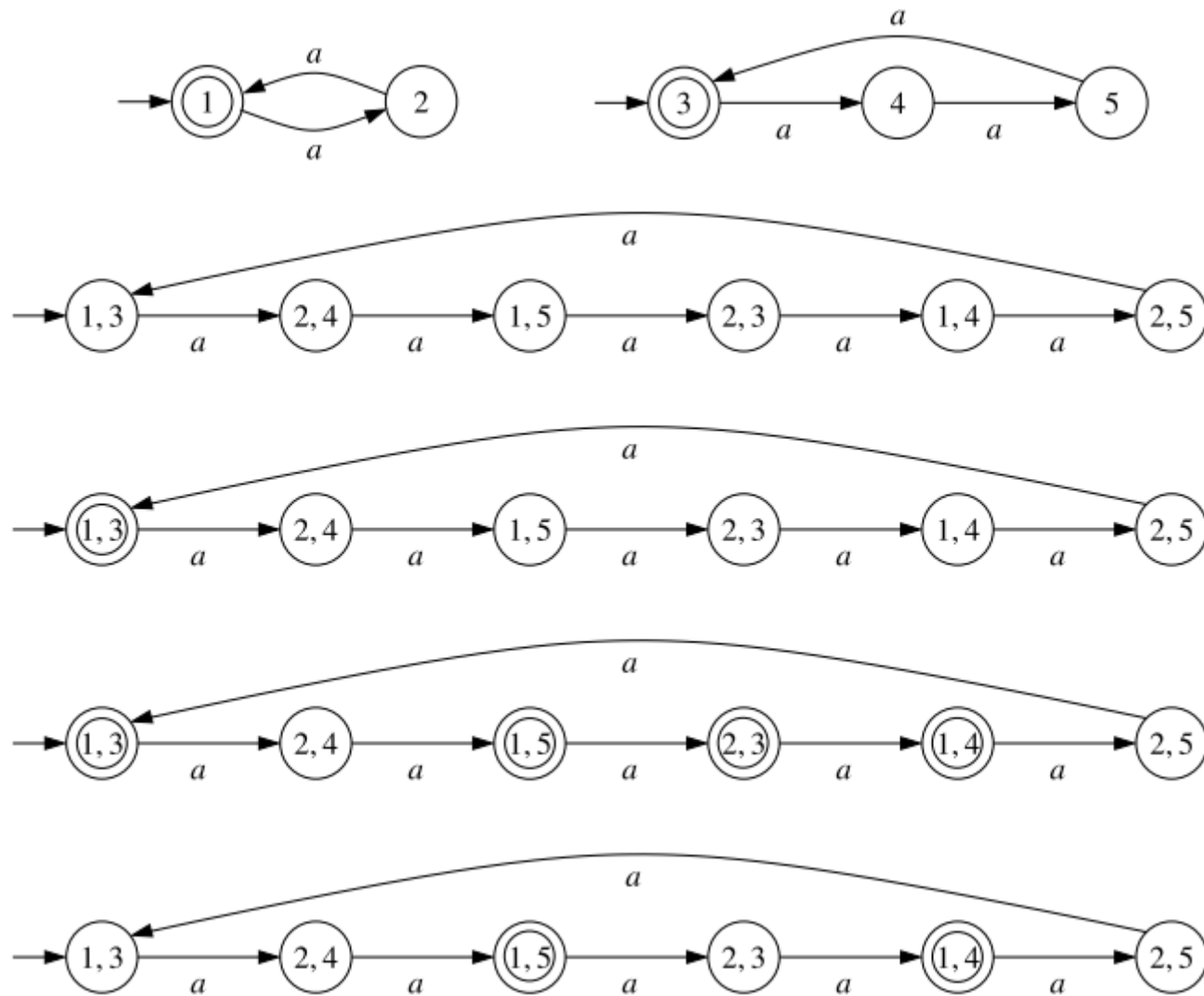
Definition. Let $A_1 = (Q_1, \Sigma, \delta_1, q_{01}, F_1)$ and $A_2 = (Q_2, \Sigma, \delta_2, q_{02}, F_2)$ be DFAs.

The **pairing** $[A_1, A_2]$ of A_1 and A_2 is the tuple (Q, Σ, δ, q_0) where

- $Q = \{ [q_1, q_2] \mid q_1 \in Q_1, q_2 \in Q_2 \}$
- $\delta = \{ ([q_1, q_2], a, [q'_1, q'_2]) \mid (q_1, a, q'_1) \in \delta_1, (q_2, a, q'_2) \in \delta_2 \}$
- $q_0 = [q_{01}, q_{02}]$

The **run** of $[A_1, A_2]$ on a word of Σ^* is defined as for DFAs

Pairing



Pairing

- Another example: DFA for the language of words with an even number of a s and even number of b s (and even number of c s ...).

Generic algorithm for binary boolean operations

- We assign to a binary boolean operator \odot an operation on languages $\widehat{\odot}$ as follows:

$$L_1 \widehat{\odot} L_2 = \{ w \in \Sigma^* \mid (w \in L_1) \odot (w \in L_2) \}$$

- For example:

Language operation	$b_1 \odot b_2$
Union	$b_1 \vee b_2$
Intersection	$b_1 \wedge b_2$
Set difference ($L_1 \setminus L_2$)	$b_1 \wedge \neg b_2$
Symmetric difference ($L_1 \setminus L_2 \cup L_2 \setminus L_1$)	$b_1 \Leftrightarrow \neg b_2$

Generic algorithm for binary boolean operations

BinOp[\odot](A_1, A_2)

Input: DFAs $A_1 = (Q_1, \Sigma, \delta_1, Q_{01}, F_1)$, $A_2 = (Q_2, \Sigma, \delta_2, Q_{02}, F_2)$

Output: DFA $A = (Q, \Sigma, \delta, Q_0, F)$ with $L(A) = L(A_1) \widehat{\odot} L(A_2)$

```
1   $Q, \delta, F \leftarrow \emptyset$ 
2   $q_0 \leftarrow [q_{01}, q_{02}]$ 
3   $W \leftarrow \{q_0\}$ 
4  while  $W \neq \emptyset$  do
5      pick  $[q_1, q_2]$  from  $W$ 
6      add  $[q_1, q_2]$  to  $Q$ 
7      if  $(q_1 \in F_1) \odot (q_2 \in F_2)$  then add  $[q_1, q_2]$  to  $F$ 
8      for all  $a \in \Sigma$  do
9           $q'_1 \leftarrow \delta_1(q_1, a); q'_2 \leftarrow \delta_2(q_2, a)$ 
10         if  $[q'_1, q'_2] \notin Q$  then add  $[q'_1, q'_2]$  to  $W$ 
11         add  $([q_1, q_2], a, [q'_1, q'_2])$  to  $\delta$ 
```


Generic algorithm for binary boolean operations

- Complexity: the pairing of DFAs with n_1 and n_2 states has $O(n_1 \cdot n_2)$ states.
- Hence: for DFAs with n_1 and n_2 states over an alphabet with k letters, binary operations can be computed in $O(k \cdot n_1 \cdot n_2)$ time.
- Further: there is a family of languages for which the computation of intersection takes $\Theta(k \cdot n_1 \cdot n_2)$ time.

Language tests

- **Emptiness:** a DFA is empty iff
it has no final states
- **Universality:** a DFA is universal iff
it has only final states
- **Inclusion:** $L_1 \subseteq L_2$ iff $L_1 \setminus L_2 = \emptyset$
- **Equality:** $L_1 = L_2$ iff $(L_1 \setminus L_2) \cup (L_2 \setminus L_1) = \emptyset$

Inclusion test

InclDFA(A_1, A_2)

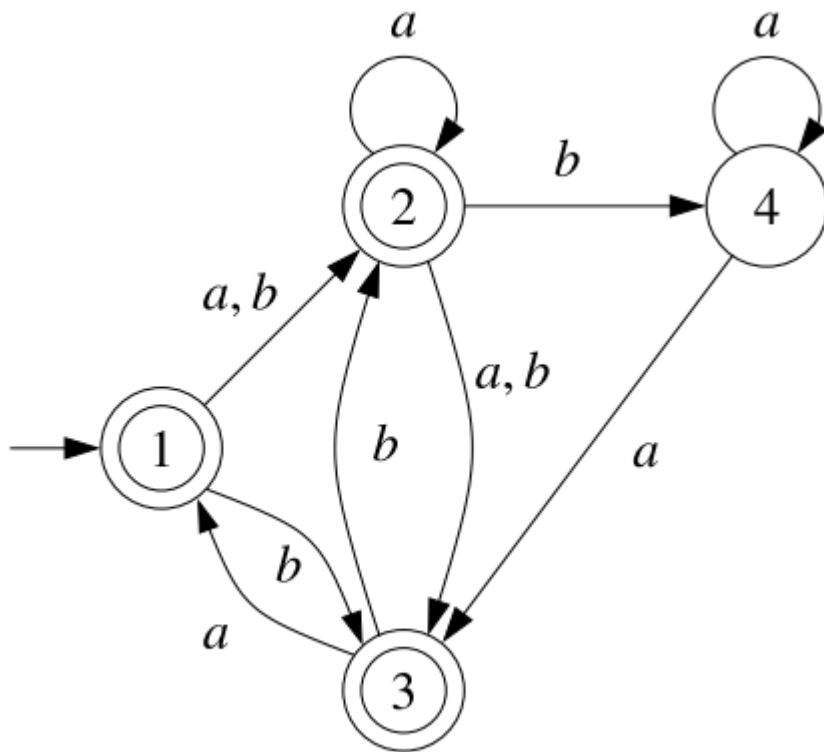
Input: DFAs $A_1 = (Q_1, \Sigma, \delta_1, q_{01}, F_1)$, $A_2 = (Q_2, \Sigma, \delta_2, q_{02}, F_2)$

Output: **true** if $L(A_1) \subseteq L(A_2)$, **false** otherwise

```
1   $Q \leftarrow \emptyset$ ;  
2   $W \leftarrow \{[q_{01}, q_{02}]\}$   
3  while  $W \neq \emptyset$  do  
4    pick  $[q_1, q_2]$  from  $W$   
5    add  $[q_1, q_2]$  to  $Q$   
6    if  $(q_1 \in F_1)$  and  $(q_2 \notin F_2)$  then return false  
7    for all  $a \in \Sigma$  do  
8       $q'_1 \leftarrow \delta_1(q_1, a)$ ;  $q'_2 \leftarrow \delta_2(q_2, a)$   
9      if  $[q'_1, q'_2] \notin Q$  then add  $[q'_1, q'_2]$  to  $W$   
10 return true
```

Operations and tests on sets: Implementation on NFAs

Membership



Prefix read	W
ϵ	{1}
<i>a</i>	{2}
<i>aa</i>	{2, 3}
<i>aaa</i>	{1, 2, 3}
<i>aaab</i>	{2, 3, 4}
<i>aaabb</i>	{2, 3, 4}
<i>aaabba</i>	{1, 2, 3, 4}

Membership

MemNFA[*A*](*w*)

Input: NFA $A = (Q, \Sigma, \delta, Q_0, F)$, word $w \in \Sigma^*$,

Output: **true** if $w \in \mathcal{L}(A)$, **false** otherwise

```
1   $W \leftarrow Q_0;$ 
2  while  $w \neq \varepsilon$  do
3     $U \leftarrow \emptyset$ 
4    for all  $q \in W$  do
5      add  $\delta(q, \text{head}(w))$  to  $U$ 
6     $W \leftarrow U$ 
7     $w \leftarrow \text{tail}(w)$ 
8  return  $(W \cap F \neq \emptyset)$ 
```

Complexity:

- While loop executed $|w|$ times
- For loop executed at most $|Q|$ times
- Each execution of the loop body takes $O(|Q|)$ time
- Overall: $O(|Q|^2 \cdot |w|)$ time

Complement

- Swapping final and non-final states does not work
- Solution: determinize and then swap states
- **Problem: Exponential blow-up in size!!**

To be avoided whenever possible!!

- **No better way:** there are NFAs with n states such that the smallest NFA for their complement has $\Theta(2^n)$ states.

Union and intersection

- The pairing construction still works for intersection, with the same complexity.
- It also works for union, but only **if the NFAs are complete**, i.e., they have at least one run for each word.
- Optimal construction for intersection (same example as for DFAs).
- **Non-optimal** construction for union. There is another construction which produces an NFA with $|Q_1| + |Q_2|$ states, instead of $|Q_1| \cdot |Q_2|$: just put the automata side by side!

Intersection

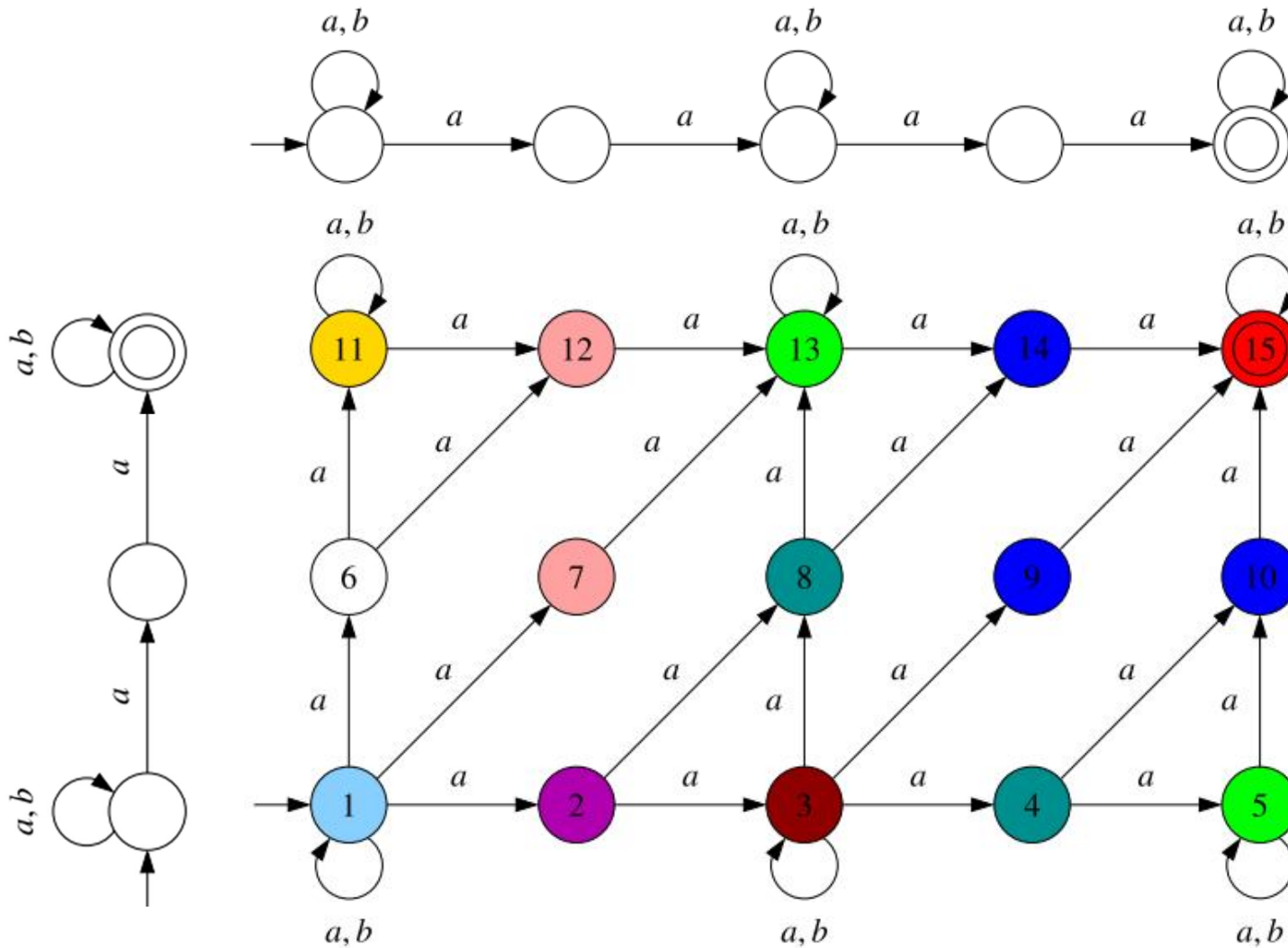
IntersNFA(A_1, A_2)

Input: NFA $A_1 = (Q_1, \Sigma, \delta_1, Q_{01}, F_1)$, $A_2 = (Q_2, \Sigma, \delta_2, Q_{02}, F_2)$

Output: NFA $A_1 \cap A_2 = (Q, \Sigma, \delta, Q_0, F)$ with $L(A_1 \cap A_2) = L(A_1) \cap L(A_2)$

```
1   $Q, \delta, F \leftarrow \emptyset$ ;  $Q_0 \leftarrow Q_{01} \times Q_{02}$ 
2   $W \leftarrow Q_0$ 
3  while  $W \neq \emptyset$  do
4    pick  $[q_1, q_2]$  from  $W$ 
5    add  $[q_1, q_2]$  to  $Q$ 
6    if  $(q_1 \in F_1)$  and  $(q_2 \in F_2)$  then add  $[q_1, q_2]$  to  $F$ 
7    for all  $a \in \Sigma$  do
8      for all  $q'_1 \in \delta_1(q_1, a), q'_2 \in \delta_2(q_2, a)$  do
9        if  $[q'_1, q'_2] \notin Q$  then add  $[q'_1, q'_2]$  to  $W$ 
10     add  $([q_1, q_2], a, [q'_1, q'_2])$  to  $\delta$ 
```

Intersection



Emptiness and Universality

- Like DFAs, an NFA is empty iff every state is non-final.
- However, contrary to DFAs, it does not hold that an NFA is universal iff every state is final. Both directions fail!
- Emptiness is decidable in linear time.
- Universality is **PSPACE-complete**.

Crash course on PSPACE

- **PSPACE**: Class of decision problems for which there is an algorithm that
 - always terminates and returns the correct answer, and
 - only uses polynomial memory in the size of the input.
- $P \subseteq NP \subseteq PSPACE$. It is unknown if the inclusions are strict.
- **NPSPACE**: Class of decision problems for which there is a nondeterministic algorithm that
 - does not terminate or terminates and answers „no“ for no-inputs,
 - has at least one terminating execution answering „yes“ for yes-inputs, and
 - only uses polynomial memory in the size of the input.
- Savitch´s theorem: $PSPACE=NPSPACE$

Crash course on PSPACE

- **PSPACE-complete**: A problem Π is PSPACE-complete if
 - it belongs to PSPACE, and
 - every PSPACE-problem can be reduced in polynomial time to Π .
- PSPACE-complete problems:
 - Given a deterministic Turing machine M that only visits the cell tapes occupied by the input, and an input x , does M accept x ?
 - Is a given quantified boolean formula true?

Universality is PSPACE complete

Theorem 4.7 *The universality problem for NFAs is PSPACE-complete*

Proof: We only sketch the proof. To prove that the problem is in PSPACE, we show that it belongs to NPSPACE and apply Savitch's theorem. The polynomial-space nondeterministic algorithm for universality looks as follows. Given an NFA $A = (Q, \Sigma, \delta, Q_0, F)$, the algorithm guesses a run of $B = \text{NFAtoDFA}(A)$ leading from $\{q_0\}$ to a non-final state, i.e., to a set of states of A containing no final state (if such a run exists). The algorithm does not store the whole run, only the current state of B , and so it only needs linear space in the size of A .

Universality is PSPACE complete

We prove PSPACE-hardness by reduction from the acceptance problem for linearly bounded automata. A linearly bounded automaton is a deterministic Turing machine that always halts and only uses the part of the tape containing the input. A configuration of the Turing machine on an input of length k is coded as a word of length k . The run of the machine on an input can be encoded as a word $c_0\#c_1 \dots \#c_n$, where the c_i 's are the encodings of the configurations.

Universality is PSPACE complete

Let Σ be the alphabet used to encode the run of the machine. Given an input x , the machine accepts if there exists a word w of $(\Sigma \cup \{\#\})^*$ (we assume $\# \notin \Sigma$) satisfying the following properties:

- (a) w has the form $c_0\#c_1 \dots \#c_n$, where the c_i 's are configurations;
- (b) c_0 is the initial configuration;
- (c) c_n is an accepting configuration; and
- (d) for every $0 \leq i \leq n - 1$: c_{i+1} is the successor configuration of c_i according to the transition relation of the machine.

Universality is PSPACE complete

The reduction shows how to construct in polynomial time, given a linearly bounded automaton M and an input x , an NFA $A_{M,x}$ accepting all the words of Σ^* that do *not* satisfy at least one of the conditions (a)-(d) above. We then have

- If M accepts x , then there is a word $w_{M,x}$ encoding the accepting run of M on x , and so $L(A_{M,x}) = \Sigma^* \setminus \{w_{M,x}\}$.
- If M rejects x , then no word encodes an accepting run of M on x , and so $L(A_{M,x}) = \Sigma^*$.

So M accepts x if and only if $L(A_{M,x}) \neq \Sigma^*$, and we are done. □

Deciding universality of NFAs

- Complement and check for emptiness
 - Needs exponential time and space.
- Improvements:
 - Check for emptiness while complementing (on-the-fly check).
 - Subsumption test.

Subsumption test

- Let A be an NFA and let $B = NFAtoDFA(A)$. A state Q' of B is **minimal** if no other state Q'' satisfies $Q'' \subset Q'$.
- **Proposition:** A is universal iff every minimal state of B is final.

Proof:

A is universal

iff B is universal

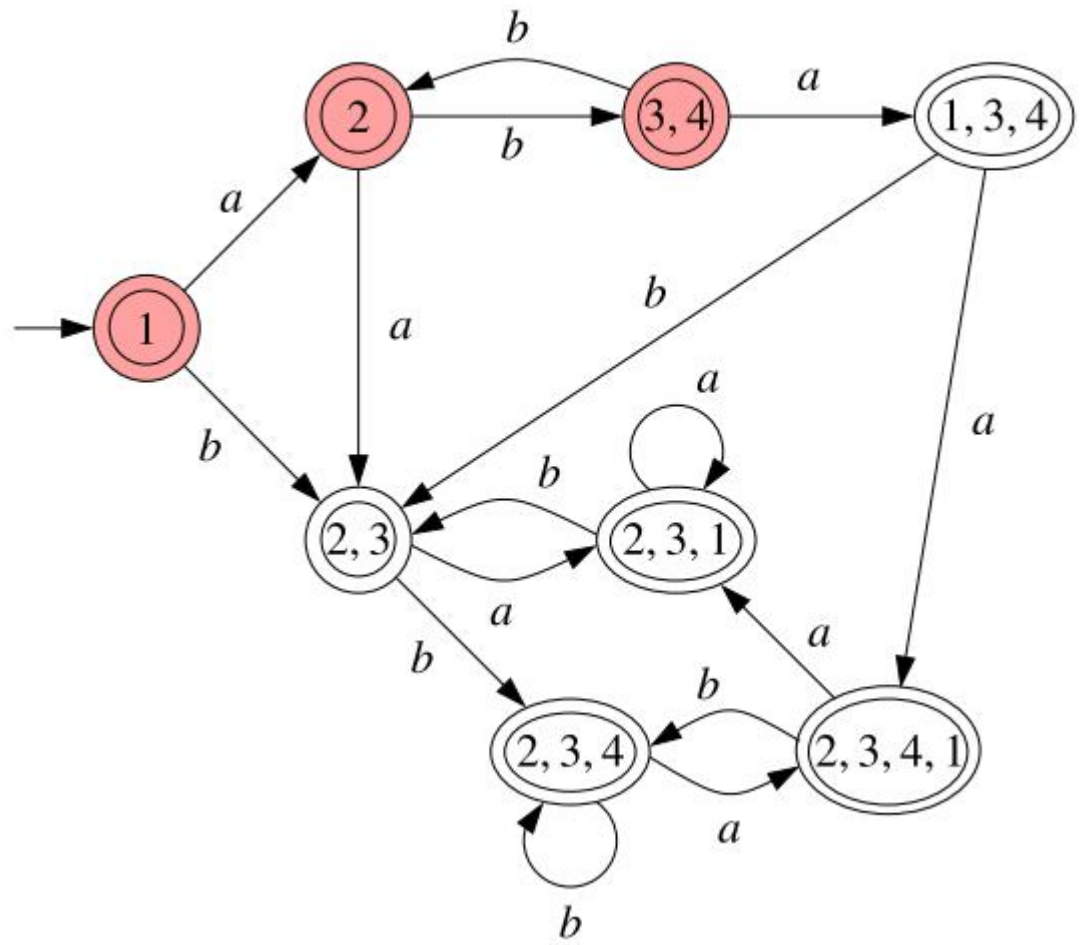
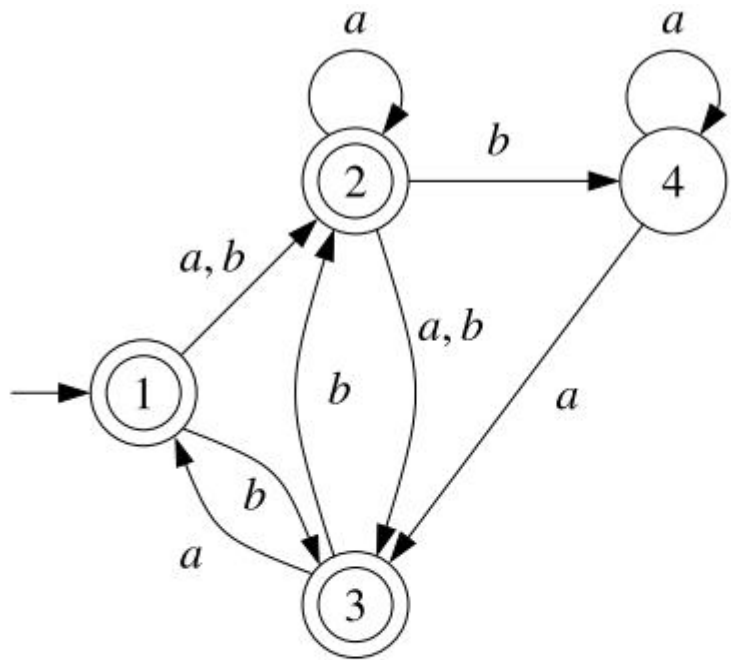
iff every state of B is final

iff every state of B contains a final state of A

iff every minimal state of B contains a final state of A

iff every minimal state of B is final

Subsumption test



Subsumption test

UnivNFA(A)

Input: NFA $A = (Q, \Sigma, \delta, Q_0, F)$

Output: true if $L(A) = \Sigma^*$, false otherwise

```
1   $Q \leftarrow \emptyset;$ 
2   $\mathcal{W} \leftarrow \{ \{q_0\} \}$ 
3  while  $\mathcal{W} \neq \emptyset$  do
4    pick  $Q'$  from  $\mathcal{W}$ 
5    if  $Q' \cap F = \emptyset$  then return false
6    add  $Q'$  to  $Q$ 
7    for all  $a \in \Sigma$  do
8      if  $\mathcal{W} \cup Q$  contains no  $Q'' \subseteq \delta(Q', a)$  then add  $\delta(Q', a)$  to  $\mathcal{W}$ 
9  return true
```

Subsumption test

- But is it correct ?

By removing a non-minimal state we may be preventing the discovery of a minimal state in the future!

Subsumption test

Proposition: Let A be an NFA and let $B = NFAtoDFA(A)$. After termination of $UnivNFA(A)$ the set Q contains all minimal states of B .

Proof: Assume the contrary. Then B has a shortest path $Q_1 \rightarrow Q_2 \rightarrow \dots \rightarrow Q_n$ such that

- $Q_1 \in Q$ (after termination), and
- $Q_n \notin Q$ and Q_n is minimal.

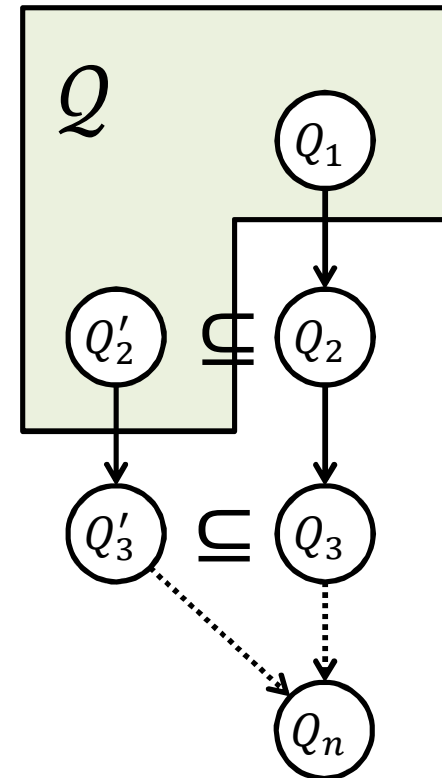
Since the path is shortest, $Q_2 \notin Q$ and so when $UnivNFA$ processes Q_1 , it does not add Q_2 . This can only be because $UnivNFA$ already added some $Q'_2 \subset Q_2$.

But then B has a path $Q'_2 \rightarrow \dots \rightarrow Q'_n$ with $Q'_n \subseteq Q_n$. Since Q_n is minimal, Q'_n is minimal (actually $Q'_n = Q_n$).

So the path $Q'_2 \rightarrow \dots \rightarrow Q'_n$ satisfies

- $Q'_2 \in Q$ (after termination), and
- Q'_n is minimal.

contradicting that $Q_1 \rightarrow Q_2 \rightarrow \dots \rightarrow Q_n$ is shortest.



Inclusion

- **Proposition:** The inclusion problem is PSPACE-complete.

- **Proof:**

Membership in PSPACE. By Savitch's theorem it suffices to give a nondeterministic algorithm for non-inclusion. For this, guess letter by letter a word, storing the sets of states Q'_1, Q'_2 reached by both NFAs on the word guessed so far. Stop when Q'_1 contains a final state, but Q'_2 does not.

PSPACE-hardness. A is universal iff $L(A) \subseteq L(B)$, where B is the one-state DFA for Σ^* .

Deciding inclusion

- Algorithm: use $L_1 \subseteq L_2$ iff $L_1 \cap \overline{L_2} = \emptyset$
- Concatenate four algorithms:
 - (1) determinize A_2 ,
 - (2) complement the result,
 - (3) intersect it with A_1 , and
 - (4) check for emptiness.
- State of (3): pair (q, Q) , where $q \in Q_1$ and $Q \subseteq Q_2$
- Easy optimizations:
 - store only the states of (3), not its transitions;
 - do not perform (1), then (2), then (3); instead, construct directly the states of (3);
 - check (4) while constructing (3).

Deciding inclusion

- Further optimization: subsumption test.

InclNFA(A_1, A_2)

Input: NFAs $A_1 = (Q_1, \Sigma, \delta_1, Q_{01}, F_1)$, $A_2 = (Q_2, \Sigma, \delta_2, Q_{02}, F_2)$

Output: true if $L(A_1) \subseteq L(A_2)$, false otherwise

```
1   $Q \leftarrow \emptyset$ ;  
2   $W \leftarrow \{ [q_{01}, Q_{02}] \mid q_{01} \in Q_{01} \}$   
3  while  $W \neq \emptyset$  do  
4    pick  $[q_1, Q_2]$  from  $W$   
5    if  $(q_1 \in F_1)$  and  $(Q_2 \cap F_2 = \emptyset)$  then return false  
6    add  $[q_1, Q_2]$  to  $Q$   
7    for all  $a \in \Sigma, q'_1 \in \delta_1(q_1, a)$  do  
8       $Q'_2 \leftarrow \delta_2(Q_2, a)$   
9      if  $W \cup Q$  contains no  $[q''_1, Q''_2]$  s.t.  $q''_1 = q'_1$  and  $Q''_2 \subseteq Q'_2$  then  
10       add  $[q'_1, Q'_2]$  to  $W$   
11 return true
```

Deciding inclusion

- Complexity:
 - Let A_1, A_2 be NFAs with n_1, n_2 states over an alphabet with k letters.
 - Without the subsumption test:
 - The while-loop is executed at most $n_1 \cdot 2^{n_2}$ times.
 - The for-loop is executed at most $O(k \cdot n_1)$ times.
 - An execution of the for-loop takes $O(n_2^2)$ time.
 - Overall: $O(k \cdot n_1^2 \cdot n_2^2 \cdot 2^{n_2})$ time.
 - With the subsumption case the worst-case complexity is higher. Exercise: give an upper bound.

Deciding inclusion

- Important special case: A_1 is an NFA, A_2 is a DFA.
 - Complementing A_2 is now easy.
 - The while-loop is executed $O(n_1 \cdot n_2)$ times.
 - The for-loop is executed k times.
 - An execution of the for-loop takes constant time.
 - Overall: $O(k \cdot n_1 \cdot n_2)$ time.
- Checking equality: check inclusion in both directions.